



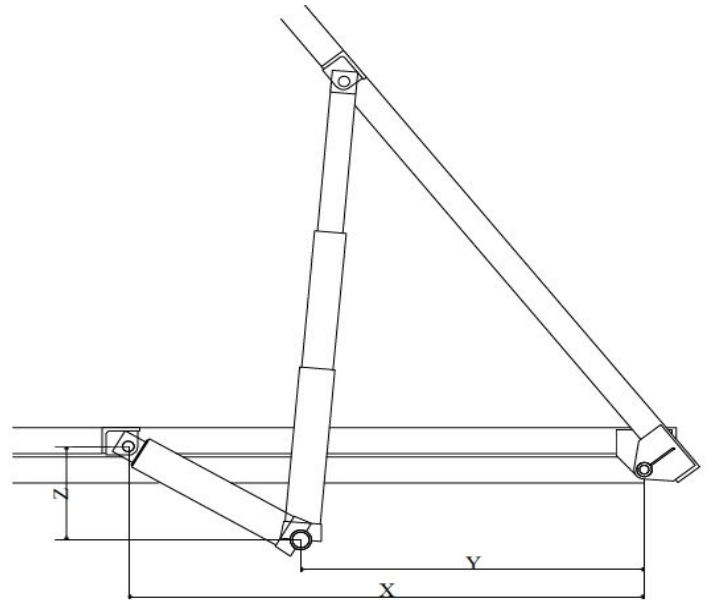
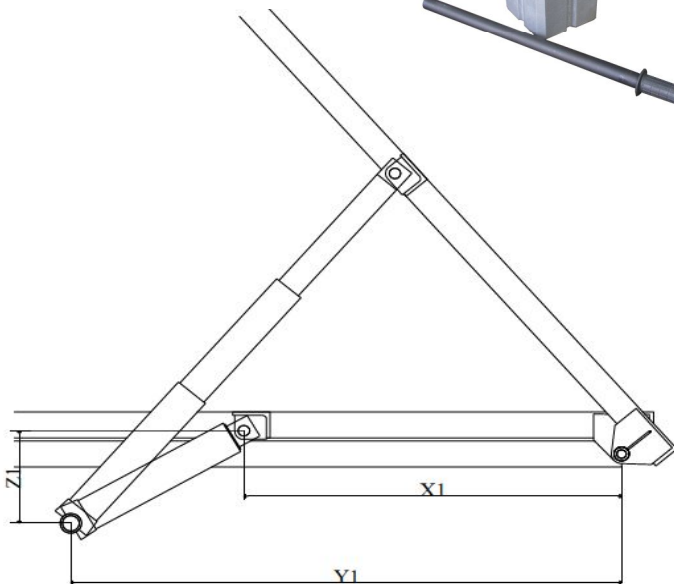
Small Tipper Underbody Rams

Available in 2 sizes. Both options are 2 stage rams with the larger stage being 76mm and the small stage 61mm. With a recommended payload and deck weight combined at 3 tonne these are a cost effective simple option for that ute, small truck deck or trailer. With a hole in the last stage to take a 31mm pin the lower feet are supplied with the ram. A powerpack or handpump will work equally well. Hydraulic hose 1.5m long and fittings supplied and a switch for the powerpack. Rear hinge kit included.

Kit Options

- 3522F12 600 stroke ram with 12v Powerpack
- 3522F24 600 stroke ram with 24v Powerpack
- 3522FHP 600 stroke ram with Handpump
- 3524F12 800 stroke ram with 12v Powerpack
- 3524F24 800 stroke ram with 24v Powerpack
- 3524FHP 800 stroke ram with Handpump

Any or all of these components may be purchased individually



Model	Deck Length	Oil Capacity	Closed Length	Stroke	X	Y	Z	X1	Y1	Z1
3522F	2200	2.3L	438*	600	1063	683	220	744	1124	220
3524F	2500	3.0L	538*	800	1390	923	270	1017	1483	270

Max body and payload is 3 tonne

*Closed length includes a 25mm pull out